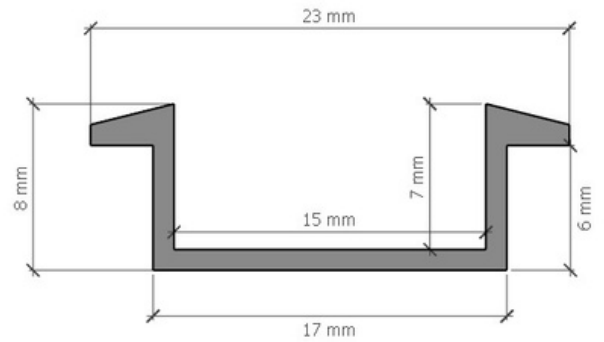


LED channel specifications

For timber shaving cabinets

LED channel dimensions

Rebated into the timber at the base of your shaving cabinet, this channel makes it simple for your electrician to install an LED lighting strip.



Costing

An additional \$100 per shaving cabinet to add in a rebated LED channel. This does not include the LED lighting strip. This will need to be installed by a licenced electrician.

LED channel location

This is our standard location for the LED channel. Please advise us if this isn't suitable for your requirements.

back of shaving cabinet

