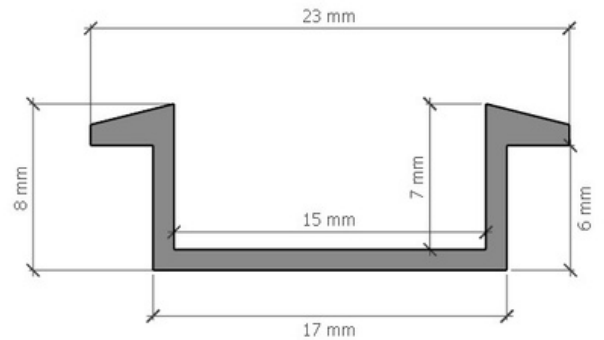


LED channel specifications

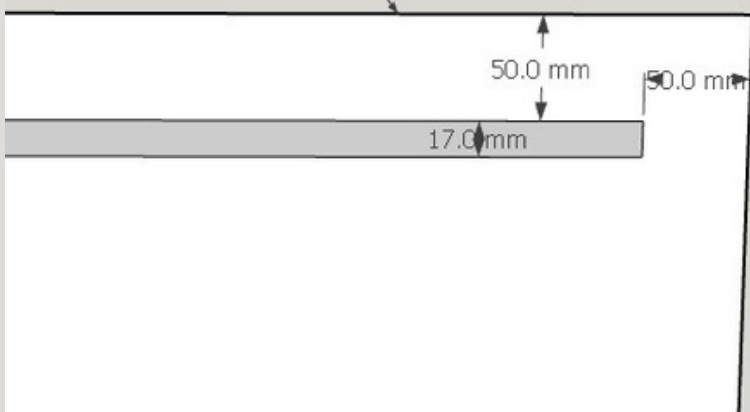
For timber vanities

LED channel dimensions

Rebated into the timber at the base of your vanity, this channel makes it simple for your electrician to install an LED lighting strip.



back of vanity



LED channel location

This is our standard location for the LED channel. Please advise us if this isn't suitable for your requirements.

Costing

An additional \$100 per vanity to add in a rebated LED channel. This does not include the LED lighting strip. This will need to be installed by a licenced electrician.